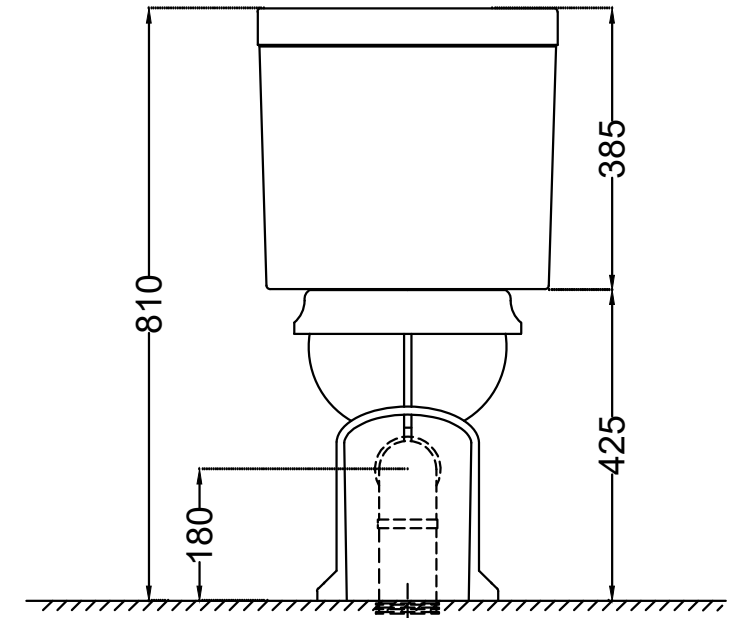
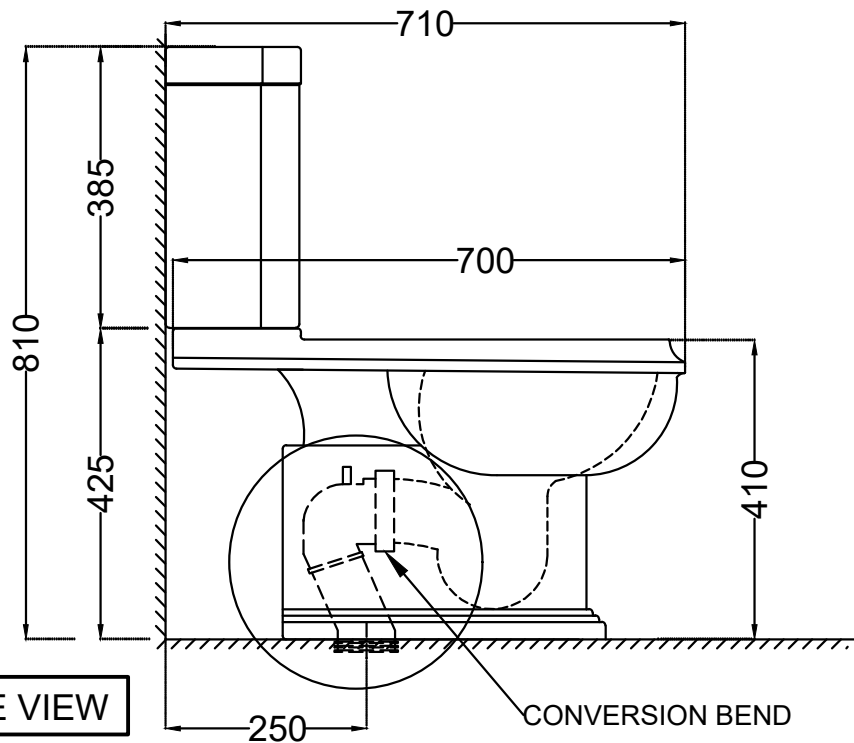



TOP VIEW



BACK VIEW



SIDE VIEW

	Jaquar Group Global Headquarters Plot No. 3, Sector- M-11, IMT Manesar Gurgaon, NCR - 122050, India E-mail : Sales_support@jaquar.com Customer Service : service@jaquar.com	
	ITEM CODE	QPS-WHT-7753S250UFPMZ
	ITEM TYPE	COUPLED WC S-TRAP 250 MM
	ITEM SIZE	420X710X810 mm
ALL DIMENSIONS ARE IN MM. (TOLERANCE ± 5 MM)		